

Model(型號): **ROTARY POTENTIOMETER-----R12724BB1**

► Download PDF file



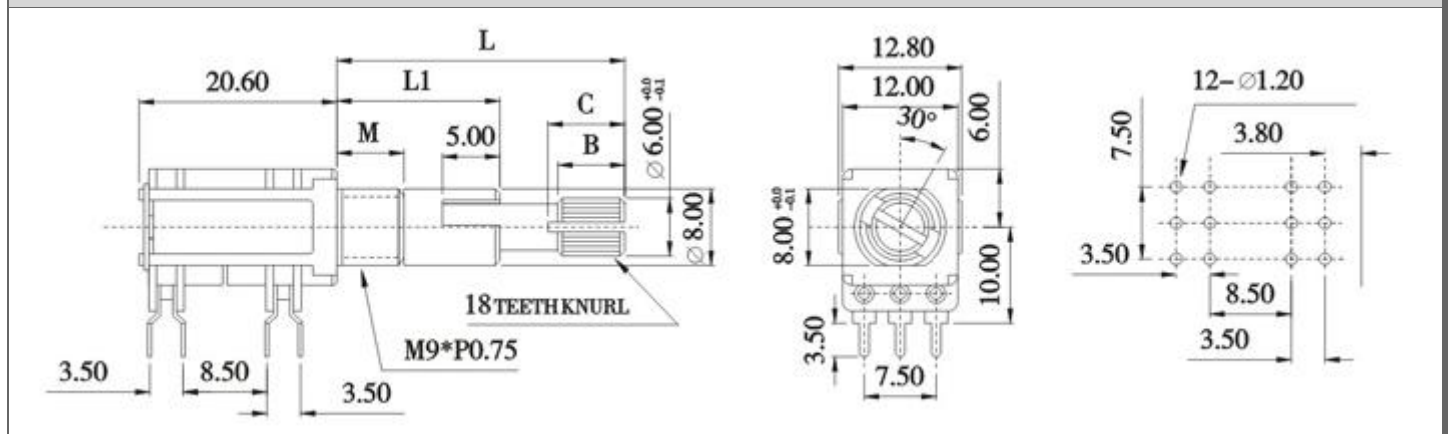
Features:(特點):

Excellent operational feeling

Applications(作用):

Ideal for volume, tone and balance control of car audio equipment.

Dimensions(規格圖):



Specifications(規格)

| Electrical Characteristics [電氣性能] | |
|--|---------------------------------------|
| Total resistance [全阻抗值] | 500Ω~1MΩ |
| Total resistance tolerance [全阻抗值容許差] | ±20% |
| Ratings power(w) [額定功率] | Outer shaft 0.03W, Inner shaft 0.05W |
| Restings taper[阻抗變化特性] | A, B, *C |
| Residual resistance [殘留阻值] | 20KΩMax. |
| Sliding noise [滑動雜音] | 85mV Max. |
| Withstanding voltage [耐電壓] | 1 minute at AC 250V |
| Insulation resistance [絕緣阻抗] | 100MΩ Min. at DC 500V. |
| Max. operating voltage [最高使用電壓] | 30V |
| Gang error:[運動誤差] | -40dB~0dB at ±3dB Max. |
| Mechanical Characteristics [機械性能] | |
| Operation torque [回轉力矩] | 30~200gf . cm |
| Rotation stopper strength [止動強度] | 3.0Kgf . cm Min. |
| Total rotational angle [回轉角度] | Outer shaft 120±5° Inner shaft 300±5° |
| position of click[掣子位置] | 150° ±5° |
| Center decent force [掣子脫出力矩] | 50~300gf.cm |
| Endurance Characteristics [耐久性能] | |
| Rotational life [回轉壽命] | More than 10,000 cycles |